

# New DISTO™ products

# The New Leica DISTO™ X-range



# Leica DISTO™ X3 and X4

## Rugged design for tough conditions



Water jet and dust protected to IP 65 standards



2m drop tested



Solid rubber housing

### What does it mean for the user?



Durable devices for tough construction site conditions



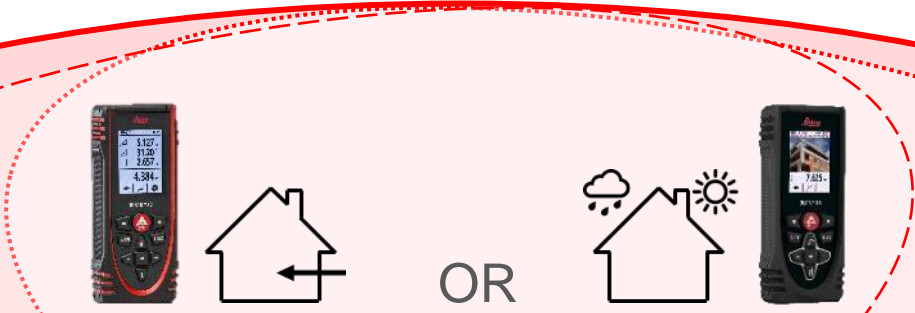
Long-term investment

- when it has to be **right**

**Leica**  
Geosystems

# Extend the functionality of your Leica DISTO™

## Create your individual solution fitting best for your personal needs



Point-to-Point measurements



Point-to-Point measurements levelled



Smart area measurement



Sketch Plan



Sketch on photo



Smart Room



Organiser



Measure Plan



Measure Facade

- when it has to be right

# Leica DISTO™ X4

## Outdoor measuring with a digital Pointfinder



Pointfinder camera



2" high-resolution display



4x zoom

### What does it mean for the user?



Easy long-distance measurements in bright sunlight



Precise outdoor targeting of distant objects

- when it has to be **right**

**Leica**  
Geosystems

# Leica DISTO™ X3 and X4

## Easy and intuitive to use – functions and settings

Settings menu



page 2



page 1

FUNC menu



FUNC menu page 2



DISTO™ X3



DISTO™ X4

Navigation keys to move in the menus and select a function or setting

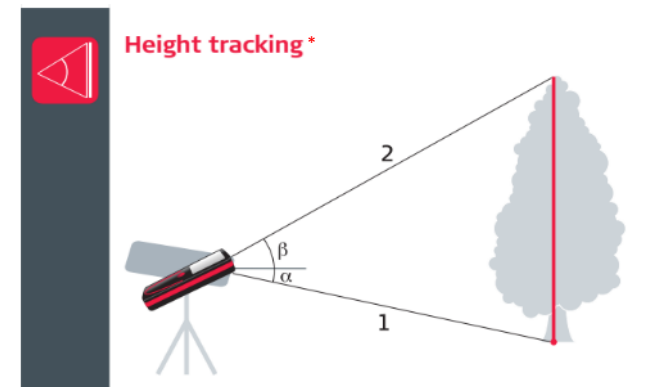
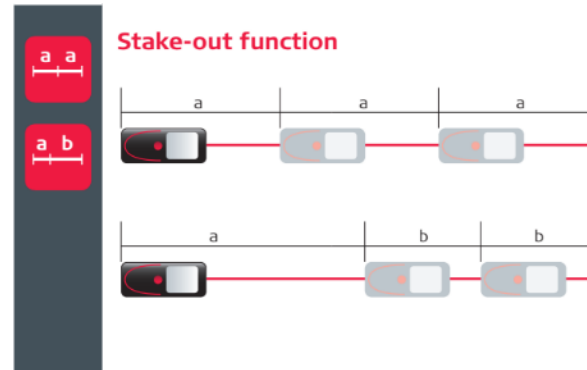
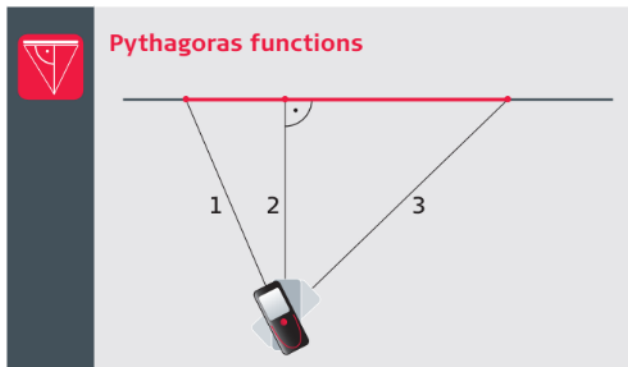
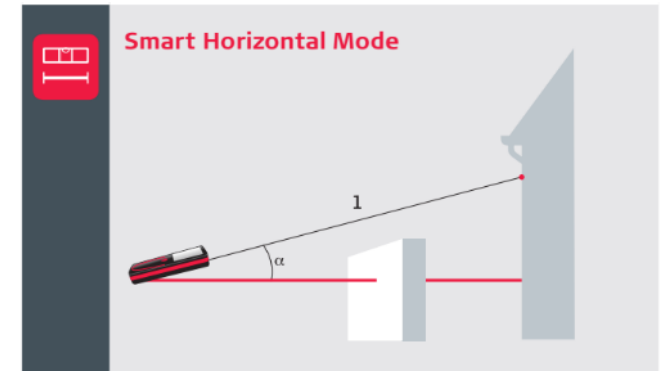
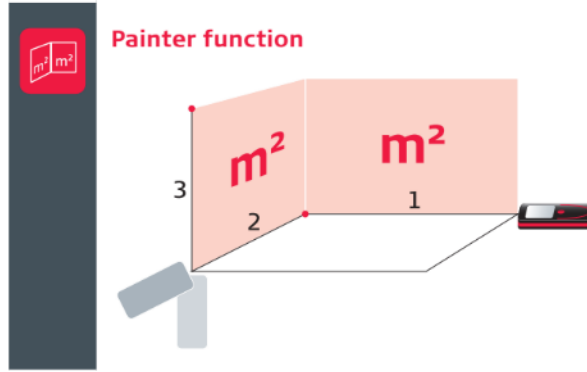
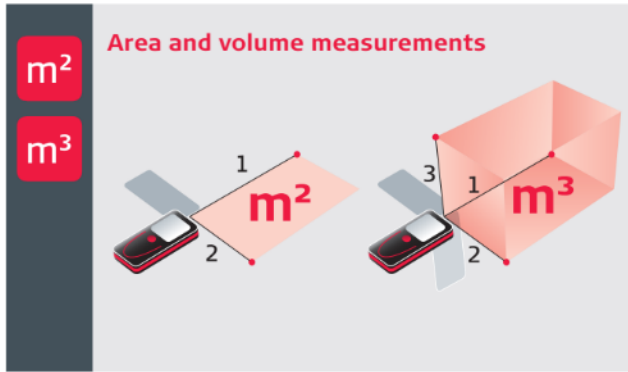
Information about every function or setting

- when it has to be right



# Leica DISTO™ X3 and X4

## Functions and features



\* Only available in Leica DISTO™ X4

- when it has to be right

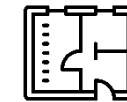
**Leica**  
Geosystems

# Leica DISTO™ X3 and X4

## Bluetooth® Smart – document and visualise



Support iOS, Android and Windows®



Create sketches, plans and document your measurements on your smartphone or tablet automatically when taking measurements

### What does it mean for the user?



Start the digital workflow with the very first measurement



Avoid documentation and transposing errors, and save time

- when it has to be **right**

**Leica**  
Geosystems



# Leica DISTO™ X3 and X4 Bluetooth® Smart – settings on the devices



Navigation on



No further action



Navigate in your  
DISTO™



Press left key



Navigate in your  
software



	A	B	C
1			
2			
3			
4			
5		119.635	
6			
7			
8			
9			

- when it has to be right

# Leica DISTO™ X3 and X4

## Bluetooth® Smart – settings on the devices



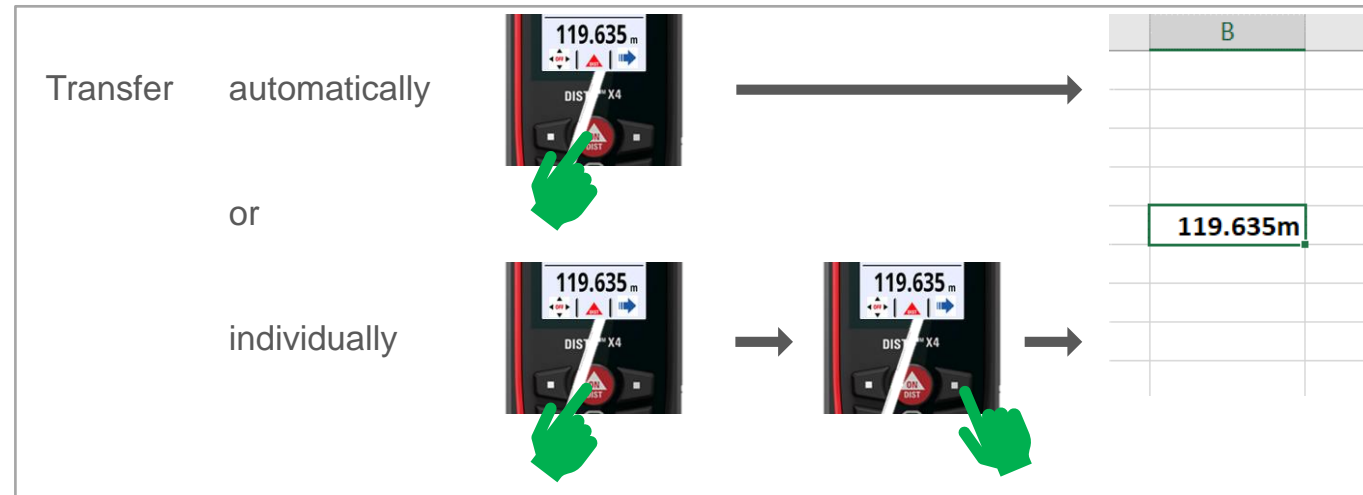
### Decimal marker

Transfer	decimal point	119.635
	or	
	comma	119,635

### Termination

←	Enter	119.635
→	Tab	119.635
	None	119.635

### Autosend



### Transfer unit

With	119.635m
or	
Without	119.635

- when it has to be right

# Leica DISTO™ X3 and X4

## Stake-out – a well known function re-invented



Visual information indicates exactly where you are



Easy detection of stake-out position due to dynamic marks on the display

### What does it mean for the user?



Speeds up the stake-out workflow significantly

- when it has to be **right**

**Leica**  
Geosystems

# Leica DISTO™ X3 and X4

## Stake-out – some more details



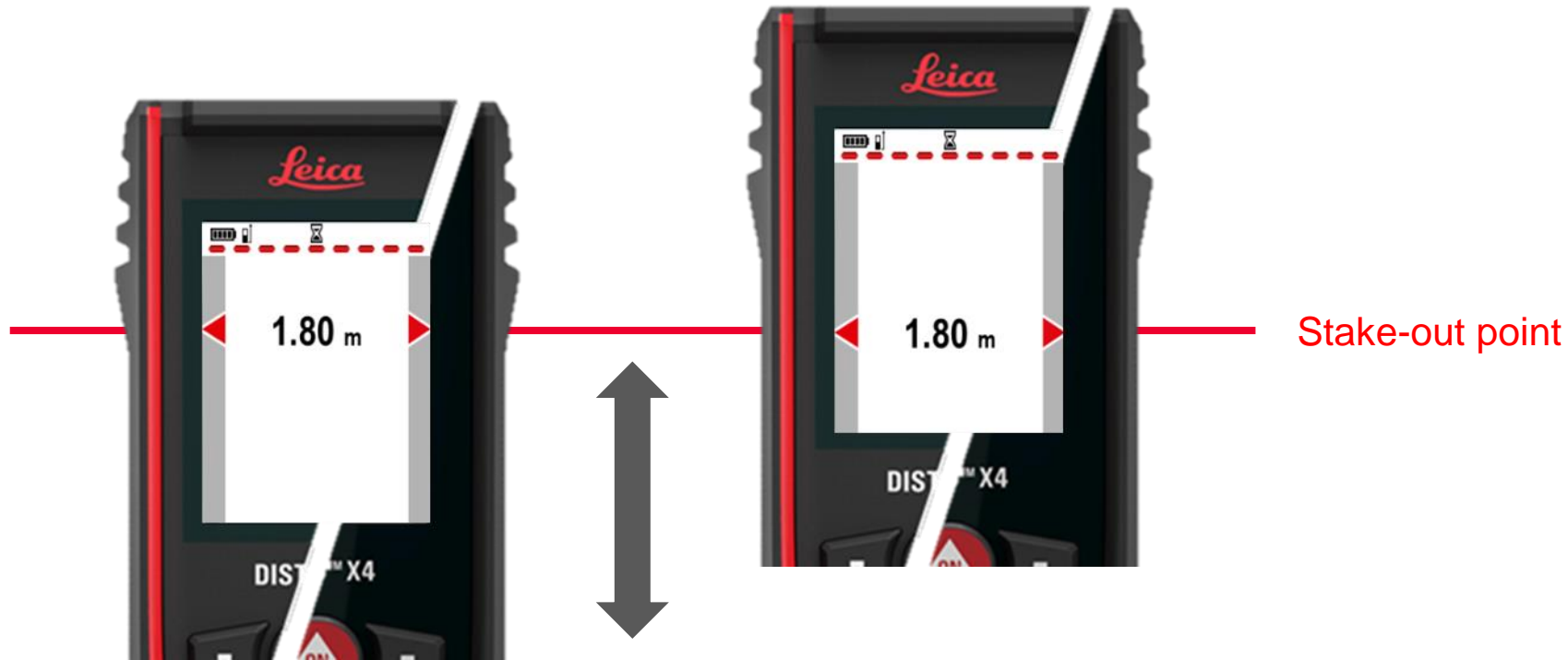
1. Adjusting the required values a and b
2. Flags and values on display support the user graphically with orientation



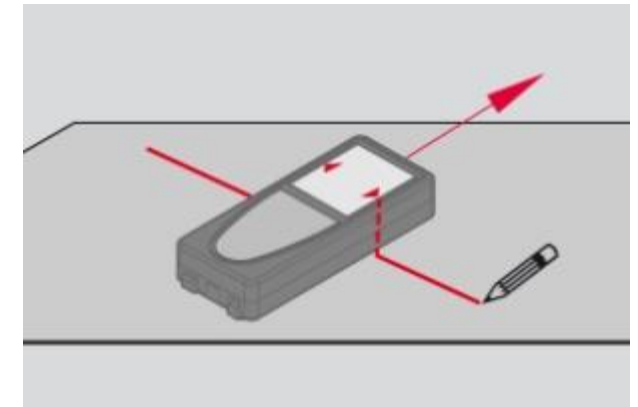
Vertical trails need to be fixed in regular intervals

# Leica DISTO™ X3 and X4

## Stake-out – some more details



3. When approaching a stake-out point the displayed value is frozen and the arrows change colour to red for marking purposes.



# Leica DISTO™ X3 and X4

## End-piece XL



80% longer end-piece



Automatic recognition of reference

### What does it mean for the user?



Offers additional measurement possibilities and reduces restrictions for window and blind makers

- when it has to be **right**

**Leica**  
Geosystems

# Leica DISTO™ DST 360

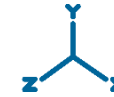
## Transform your X-series into a P2P tool



Intelligent adapter powered by the DISTO™ X3 or X4



Measure distances between any 2 points from one location



3D point measurement

### What does it mean for the user?



Measure distances which are hard to access easily, quickly and safely



Export X, Y and Z coordinates into your CAD solution or app

- when it has to be **right**

**Leica**  
Geosystems

# Leica DISTO™ X3 and X4 with Leica DST 360

## Functions and features



Point-to-Point measurements



Point-to-Point measurements levelled



Smart area measurement



# Leica DISTO™ X3 and X4 with Leica DST 360

## Some more details



P2P icons in FUNC menu are greyed out and can't be chosen if DISTO™ X3 or X4 is not connected to DST 360.

The DISTO™ recognises and confirms when mounted to DST 360. It also automatically switches to correct measuring reference.

P2P icons get fully coloured and can now be selected.

# Leica DISTO™ X3 and X4 with Leica DST 360

## Differences between the P2P distance functions



P2P distance measurement

- Measure the distance between any 2 points



P2P distance measurement levelled

- Proceed the levelling process like shown on the display
- Measure the distance between any 2 points
- Get additional information: V-, Hz-distance, angle

- when it has to be **right**

# Leica DISTO™ X3 and X4 with Leica DST 360

## Smart area measurement



### Smart area measurement

- Any area can be measured (horizontal, vertical or sloped)
- Measure up to 30 corner points, clockwise or anti-clockwise
- Get additional information: circumference of the measured area

# Leica DISTO™ Plan

## Measuring requires documentation



Document and visualise



Organise projects



Export 2D and 3D plans



Software updates for your DISTO™ X-series and DST 360

### What does it mean for the user?



All information is instantly available and can be shared immediately



Improves documentation quality and saves time

- when it has to be **right**

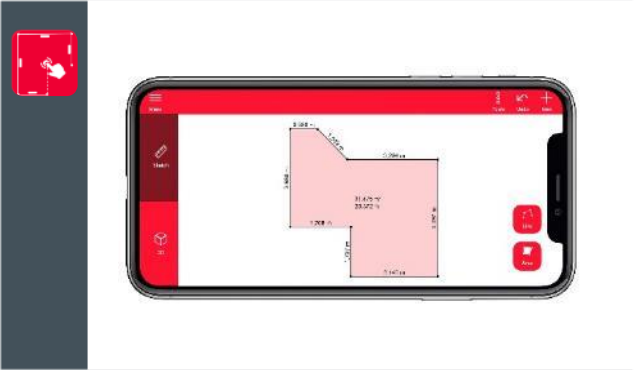


# Leica DISTO™ X3 and X4 with Leica DISTO™ Plan

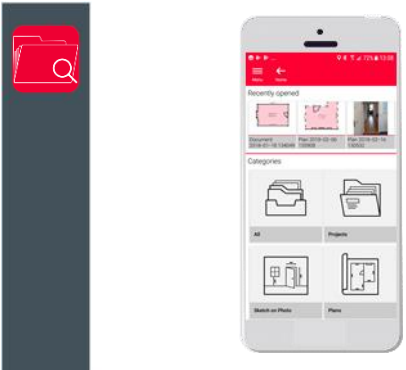
## Functions and features



Sketch on Photo \*



Sketch Plan \*



Organiser \*



Smart room

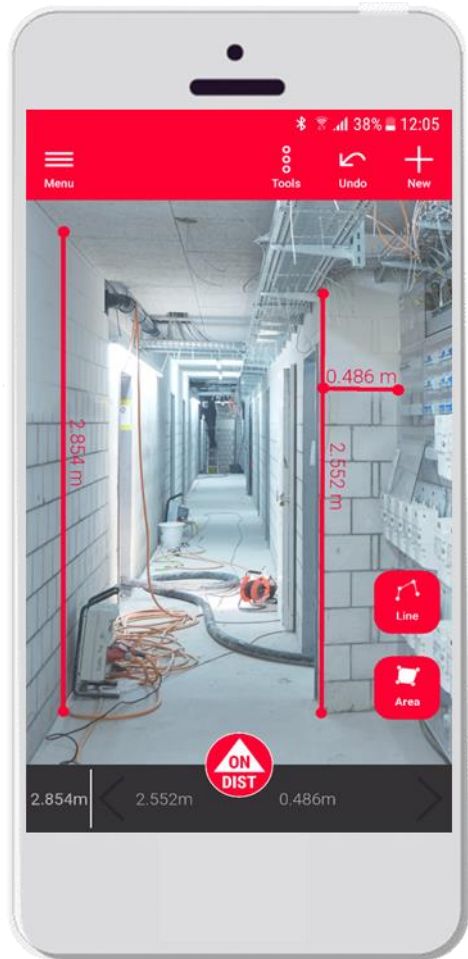


Device management

\* Applicable for the whole DISTO™ range

# Leica DISTO™ Plan

## Sketch on Photo – some more details



Sketch lines and areas onto a picture



Measure with DISTO and add measurement to the sketch



Export in JPG or PDF format for easy sharing



Compatible with every DISTO supporting Bluetooth connectivity

# Leica DISTO™ Plan

## Sketch Plan – some more details



Draw lines and areas by tapping or swiping



Add DISTO measurements and the sketch is automatically auto-scaled



Add wall openings, doors and windows



Navigate your sketch in 3D



Export in JPG or PDF format for easy sharing



Compatible with every DISTO supporting Bluetooth connectivity

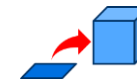
- when it has to be right

**Leica**  
Geosystems

# Leica DISTO™ X3 and X4 with Leica DISTO™ Plan Smart Room – let your DISTO™ draw your plan



Automatically create scaled floor plans simply by measuring single distances



Assign the room height to the floor plan and transform it into a 3D model



Export 2D and 3D

## What does it mean for the user?



No need to sketch or write down measurements



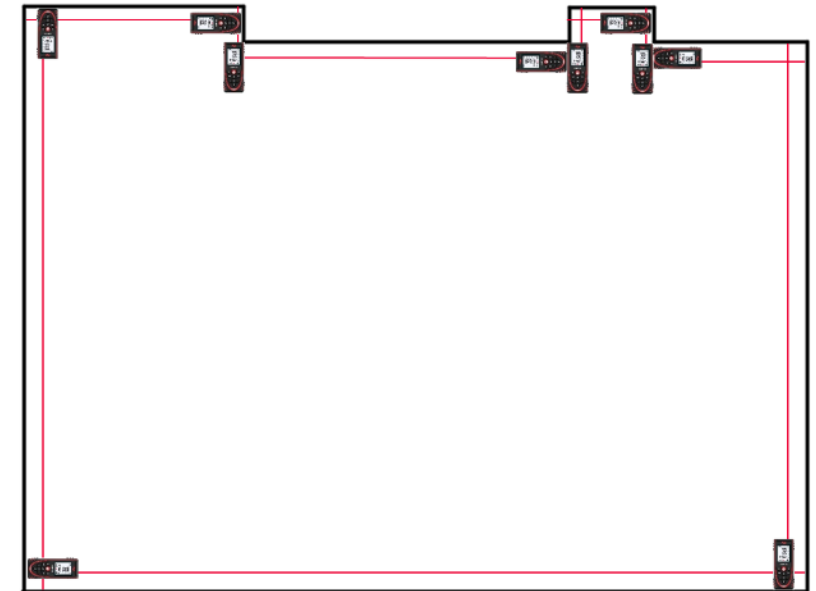
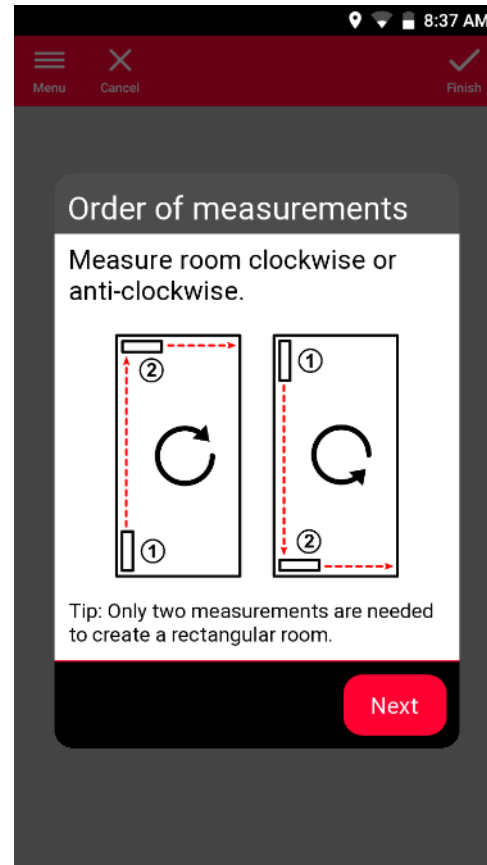
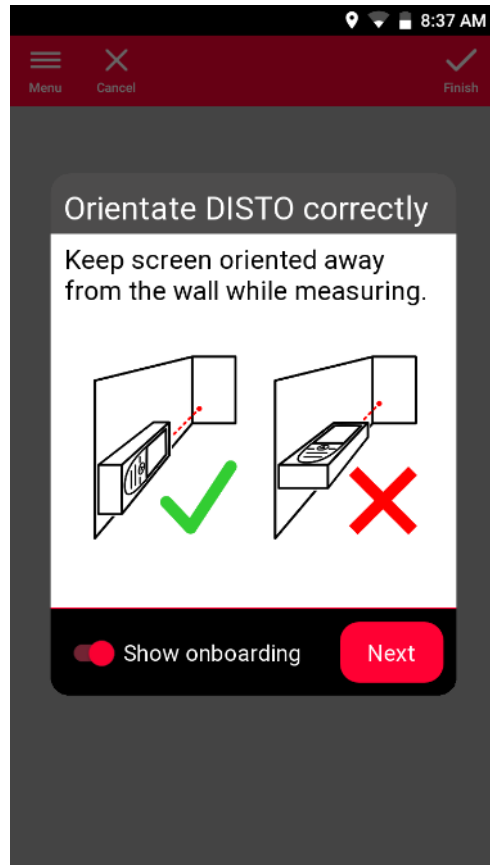
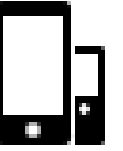
An accurate floorplan cannot be created faster

- when it has to be **right**

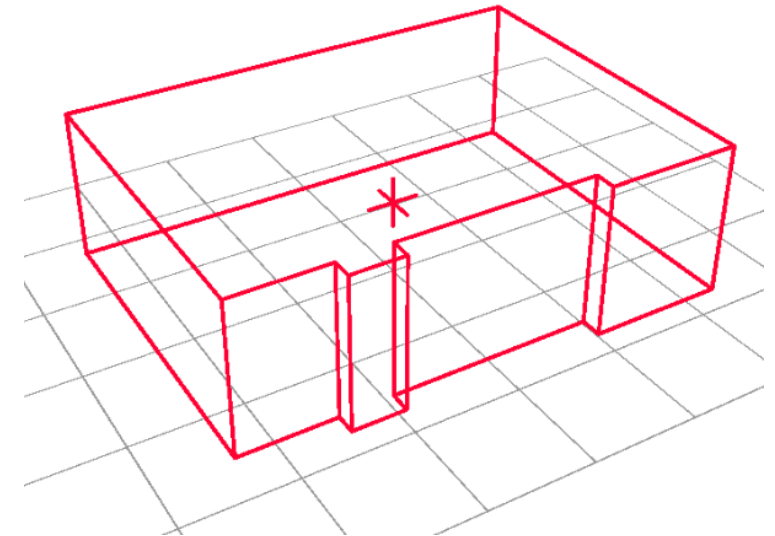
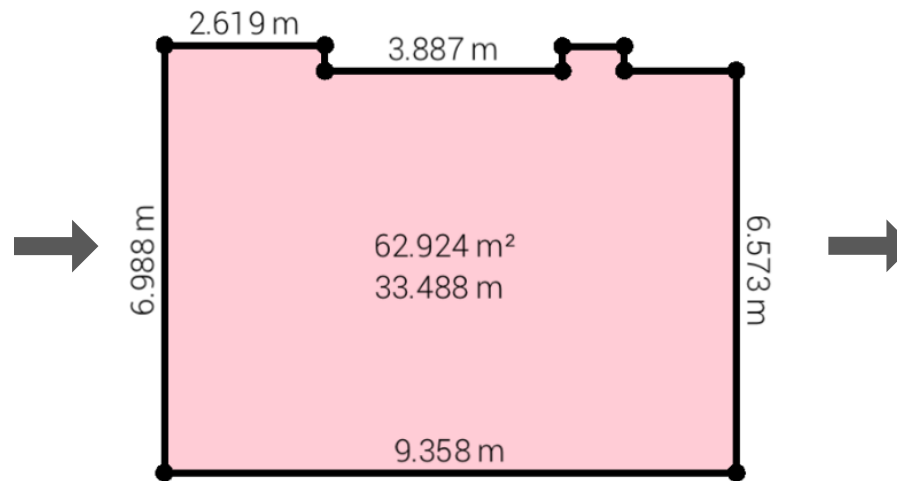
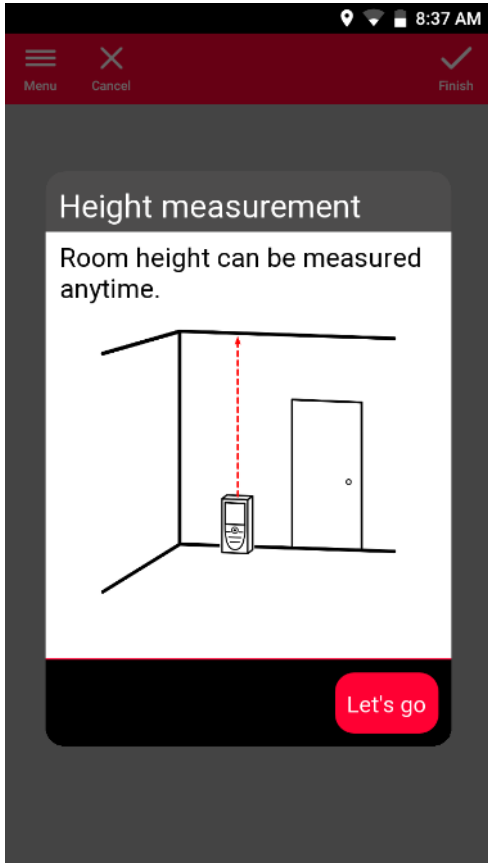
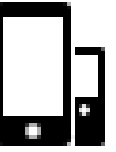
**Leica**  
Geosystems



# Leica DISTO™ X3 and X4 with Leica DISTO™ Plan Smart Room – Some more details

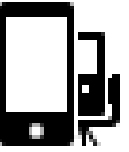


# Leica DISTO™ X3 and X4 with Leica DISTO™ Plan Smart Room – Some more details



# Leica DISTO™ X3 and X4 with Leica DISTO™ Plan and DST 360

## Functions and features



Measure Plan \*

- Point-to-Point technology for measuring irregular and big shapes
- Calculate hidden corners with the intersect function
- Export to JPG, PDF and 2D/3D/Raw CAD format



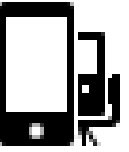
Measure Facade \*

- Point-to-Point technology for measuring 2D plans of vertical surfaces
- Measure doors and windows
- Export to JPG, PDF and 2D/3D/Raw CAD format

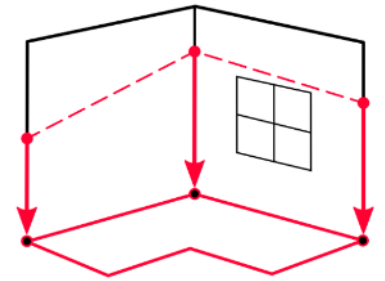
\* DISTO™ S910 also supported

# Leica DISTO™ X3 and X4 with Leica DISTO™ Plan and DST 360

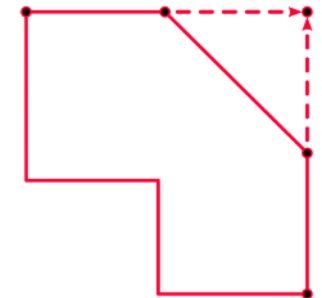
## Measure Plan – some more details



Measured points are projected onto the floor plane.

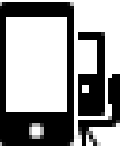


Corners that can't be measured will be calculated with intersect.

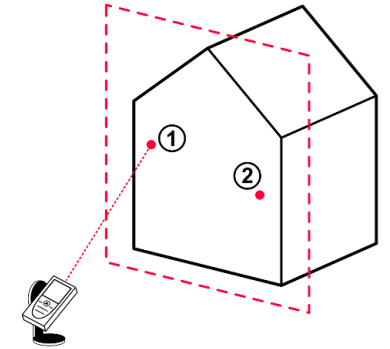


# Leica DISTO™ X3 and X4 with Leica DISTO™ Plan and DST 360

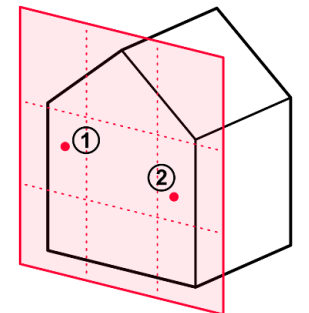
## Measure Facade – some more details



2 points need to be measured to define the projection plane in 3D.



Vertical facade plane is defined. All further measured points will be projected on this plane.



- when it has to be **right**

**Leica**  
Geosystems

# Leica DISTO™ X3 and X4 with Leica DISTO™ Plan and DST 360

## Target groups



Digital Constructor



Carpenter



Appraiser & Inspectors



Painters



Solar



Facility Management



Electricians & plumbers



Dry liners



Painter & Floorer



Window Installer



Utilities



HVAC



Kitchen installers



Landscape Architect



(Building) Construction



Public Safety



Transportation



Filming

# Leica DISTO™ X3 and X4

## Certified quality and assured reliability



The range and accuracy of all Leica DISTO™ devices are checked in accordance with ISO 16331-1. As a result, you can be sure that the performance of the instrument is maintained not only in the test laboratory but even more importantly on everyday site tasks.

- All devices must pass several tests before leaving the factory
- Temperature and humidity tests ensure consistent measurements
- Hardest requirements must be fulfilled even above industrial standards



### Extend the warranty of your product

The Leica Geosystems products and Li-Ion batteries meet the highest quality demands. Register your product within 8 weeks of purchase at [www.disto.com](http://www.disto.com) and benefit from our 3-year warranty, respectively 2-year warranty on Li-Ion batteries.

### What does it mean for the user?

- Reliable measurement results over the entire lifetime of the DISTO™

# Leica DISTO™ X3 and X4

## Technical data

	Leica DISTO™ X3	Leica DISTO™ X4
Range (ISO 16331-1 certified)	0.05 up to 150 m	0.05 up to 150 m
Typ. distance measuring accuracy (ISO 16331-1 certified)	± 1.0 mm	± 1.0 mm
Tilt sensor	360° ± 0.2°	360° ± 0.2°
IMU sensor for Smart Room	X	X
P2P Range (requires Leica DST 360)	Hz 360° V - 64° to > 90°	Hz 360° V - 64° to > 90°
P2P Accuracy (requires Leica DST 360)	@ 2, 5, 10 m ± 2, 5, 10 mm	@ 2, 5, 10 m ± 2, 5, 10 mm
Digital Pointfinder	-	4-fold zoom
Display	2" size, 320x240 pxs. color display	2" size, 320x240 pxs. color display
Bluetooth® smart	X	X
Transfer of 3D data via Bluetooth® smart	X	X
Batteries	2 x AA size Alkaline	2 x AA size Alkaline
Measurements per set of batteries	4'000 measurements, 8h operation	4'000 measurements, 8h operation
Protection	IP65, 2m drop tested	IP65, 2m drop tested
Dimensions	132 x 56 x 29 mm	132 x 56 x 29 mm
Weight	184 g	188 g



# New DISTO™ products

## Bullet points



Create your individual solution fitting best for your personal needs



Rugged design for tough conditions



Digital Pointfinder in DISTO™ X4



DISTO™ Plan - ready for digital construction



DST 360 – extend your X-series into a P2P tool



Smart Room – let your DISTO™ draw your plan

# Orders Leica DISTO™ X3

Art. no.:	850833
EAN no.:	7640110697047
Units per pallet:	560 pieces
Weight (device including packaging):	0.445 kg
Size of individual package:	172 x 98 x 87 mm
Customs tariff number:	90151010
Country of origin:	Hungary
Scope of delivery:	Leica DISTO™ X3, Handloop, Pouch, 2xAA batteries, Calibration Certificate Silver, Quickstart



# Orders Leica DISTO™ X3 (model for North American markets)

Art. no.:	850834
EAN no.:	7640110697054
Units per pallet:	480 pieces
Weight (device including packaging):	0.445 kg
Size of individual package:	172 x 98 x 87 mm
Customs tariff number:	90151010
Country of origin:	Hungary
Scope of delivery:	Leica DISTO™ X3, Handloop, Pouch, 2xAA batteries, Calibration Certificate Silver, Quickstart



- when it has to be right

**Leica**  
Geosystems

# Orders Leica DISTO™ X4

Art. no.:	855107
EAN no.:	7640110697870
Units per pallet:	560 pieces
Weight (device including packaging):	0.450 kg
Size of individual package:	172 x 98 x 87 mm
Customs tariff number:	90151010
Country of origin:	Hungary
Scope of delivery:	Leica DISTO™ X4, Handloop, Pouch, 2xAA batteries, Calibration Certificate Silver, Quickstart



# Orders Leica DISTO™ X4 (model for North American markets)

Art. no.:	855138
EAN no.:	7640110697887
Units per pallet:	480 pieces
Weight (device including packaging):	0.450 kg
Size of individual package:	172 x 98 x 87 mm
Customs tariff number:	90151010
Country of origin:	Hungary
Scope of delivery:	Leica DISTO™ X4, Handloop, Pouch, 2xAA batteries, Calibration Certificate Silver, Quickstart



- when it has to be right

**Leica**  
Geosystems

# Orders Leica DST 360

Art. no.:	848783
EAN no.:	7640110697979
Units per pallet:	36 pieces
Weight (device including packaging):	5.65 kg
Size of individual package:	430 x 375 x 163 mm
Customs tariff number:	90159000
Country of origin:	China
Scope of delivery:	Leica DST 360, Tripod TRI 120, Rugged case with IP67, Quickstart for DST 360 and TRI 120, Calibration Certificate Blue



# Orders Leica DISTO™ X4 kit with DST 360

Art. no.:	6013636
EAN no.:	7640110698259
Customs tariff number:	90151010
Country of origin:	China
Scope of delivery:	Leica DISTO™ X4 with scope, Leica DST 360 scope with rugged case



- when it has to be right

**Leica**  
Geosystems

# Orders Leica DISTO™ X4 kit with DST 360 (model for North American markets)

Art. no.:	6013637
EAN no.:	7640110698556
Customs tariff number:	90151010
Country of origin:	China
Scope of delivery:	Leica DISTO™ X4 with scope, Leica DST 360 scope with rugged case



- when it has to be right

**Leica**  
Geosystems



## WELCOME:



<http://www.leica-geosystems.com>



<http://www.leica-geosystems.com/facebook>



<http://www.leica-geosystems.com/linkedin>



<http://www.leica-geosystems.com/twitter>



<http://www.leica-geosystems.com/youtube>

- when it has to be **right**

